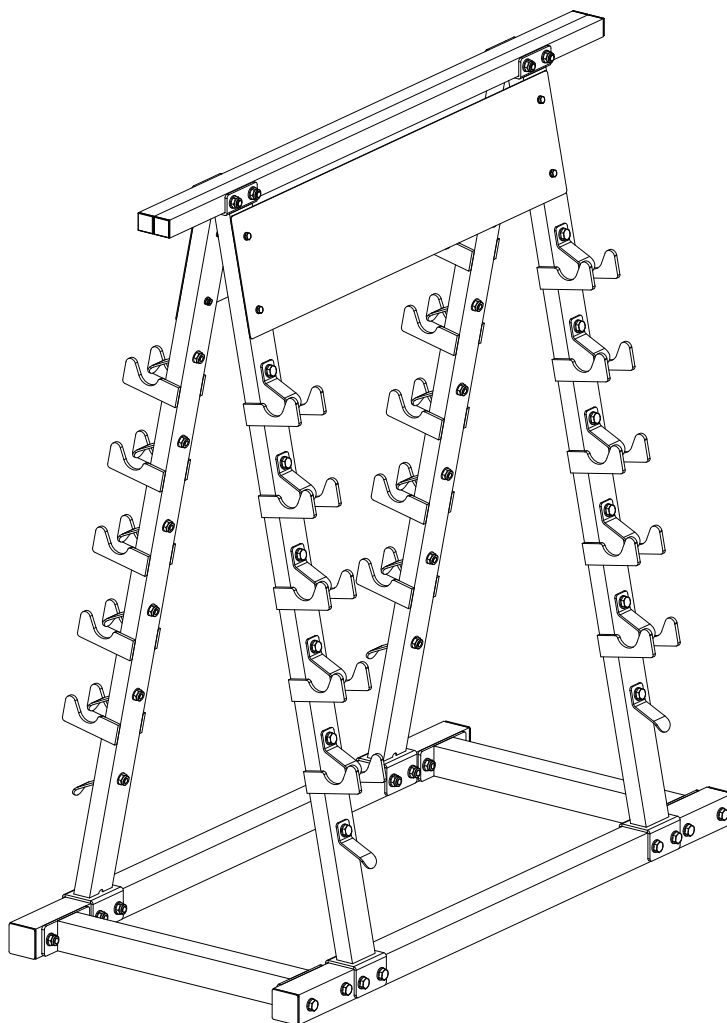


LifeGear L1/BARBELL RACK

ITEM NO.: 76260

LifeGear

Get active for life



OWNER'S MANUAL

IMPORTANT: Read all instructions carefully before using this product. Retain this owner's manual for future reference. The specifications of this product may vary from this photo, subject to change without notice.

TABLE OF CONTENTS

WARRANTY-----	1
SAFETY INSTRUCTIONS-----	2
MAINTENANCE-----	2
PARTS LIST-----	2
HARDWARE PACKING LIST-----	3
TOOLS-----	3
OVERVIEW DRAWING-----	4
ASSEMBLY INSTRUCTIONS-----	5

ONE YEAR LIMITED WARRANTY

LifeGear Inc. warrants to the original purchaser that this product is free from defects in material and workmanship when used for the purpose intended, under the conditions that it has been installed and operated in accordance with LifeGear's Owner's Manual. LifeGear's obligation under this warranty is limited to replacing or repairing, free of charge, any parts which may prove to be defective under normal home use. This warranty does not include any damage caused by improper operation, misuse or commercial application.

From the date of purchase, the frame is warranted to be free from defects for 1 (one) year.

This warranty is extended only to the original owner and is not transferable.

When ordering replacement parts please have the following information ready:

1. **Owner's Manual**
2. **Model Number**
3. **Description of Parts**
4. **Part Number**
5. **Date of Purchase**

SAFETY INSTRUCTIONS

Basic precautions should always be followed, including the following safety instructions when using this barbell rack: Read all instructions before using this barbell rack.

1. Please make sure all parts are not damaged and fixed well before use. This barbell rack should be placed on a flat surface.
2. Do not attempt any maintenance or adjustments other than those described in this manual.
3. Do not place this barbell rack outdoors.
4. This barbell rack is for household use only.
5. Keep children and pets away from barbell rack.

MAINTENANCE

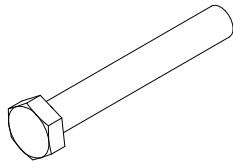
Please wipe dust off the barbell rack with a clean, dry cloth.

Please inspect all assembly bolts and nuts on the barbell rack for proper tightness and frame of the barbell rack for any sign of cracking or permanent bending. If you find this situation, do not use this barbell rack.

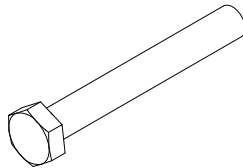
PARTS LIST

No.	Description	Qty	No.	Description	Qty
001	Base Tube	2	010	Hex Bolt M10x50	24
002	Connector Frame	2	011	Hex Bolt M6x40	8
003	Barbell Frame	4	012	Washer Ø6	16
004	Top Tube	2	013	Washer Ø10	88
005	Flat Plate	2	014	Nylon Lock Nut M10	44
006	Safety Plate	24	015	Nylon Lock Nut M6	8
007	Hex Bolt M10x70	8	016	Top Tube End Cap 30x30	4
008	Hex Bolt M10x75	8	017	Base Tube End Cap 50x50	4
009	Hex Bolt M10x85	4			

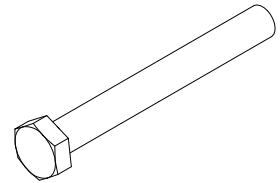
HARDWARE PACKING LIST



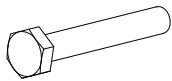
(7) Hex Bolt M10x70
8 PCS



(8) Hex Bolt M10x75
8 PCS



(9) Hex Bolt M10x85
4 PCS



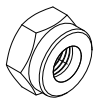
(11) Hex Bolt M6x40
8 PCS



(12) Washer Ø6
16 PCS



(13) Washer Ø10
40 PCS

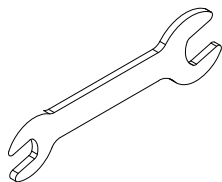


(14) Nylon Lock Nut M10
20 PCS

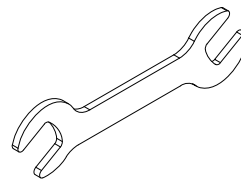


(15) Nylon Lock Nut M6
8 PCS

TOOLS

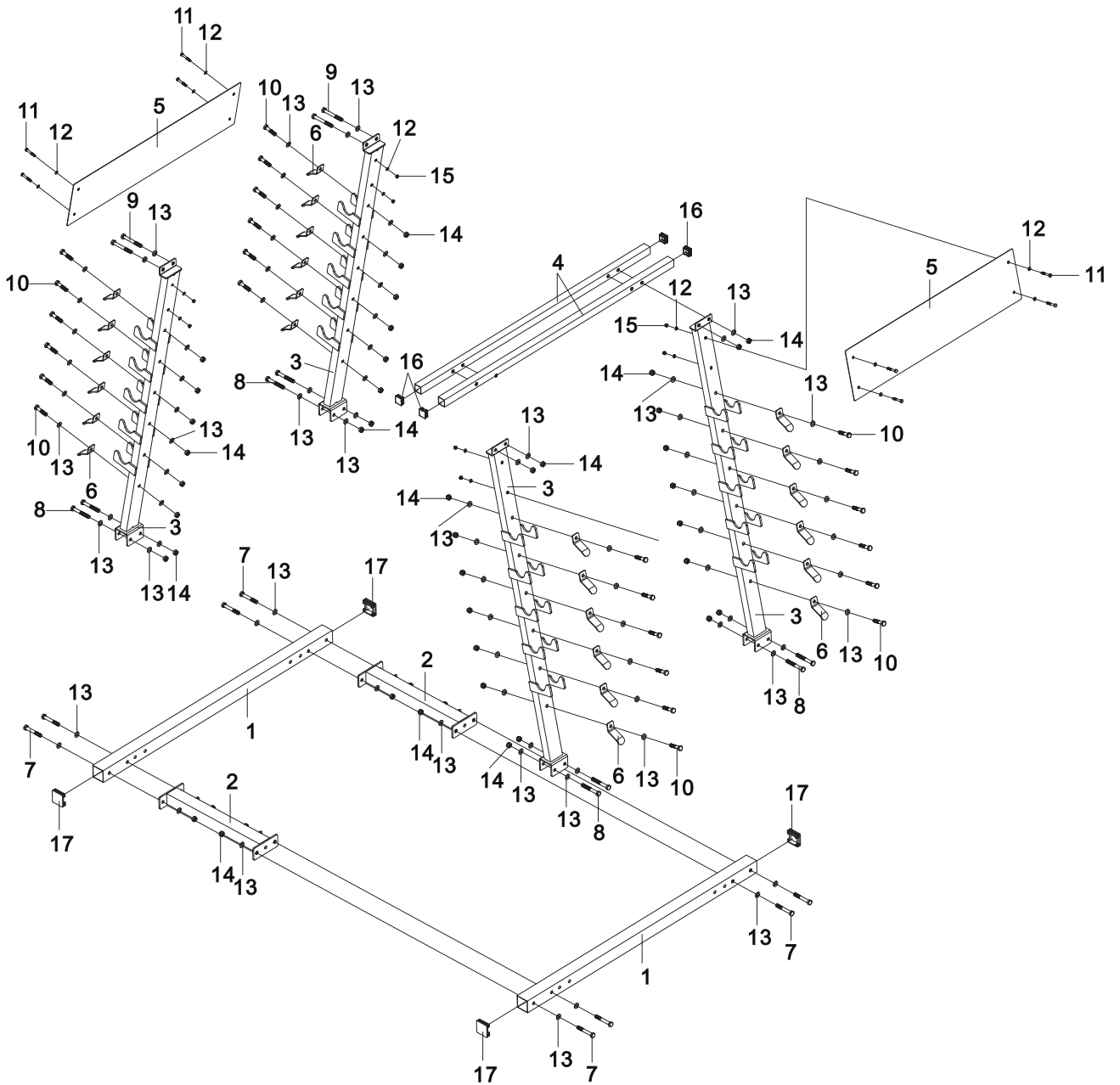


Wrench 14-10
2 PCS

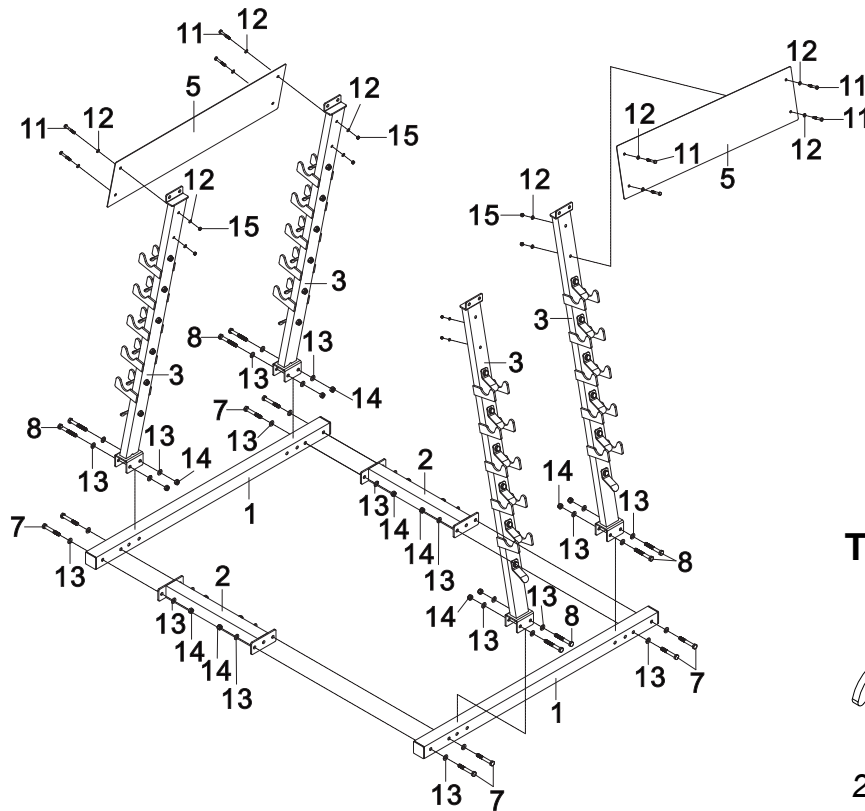


Wrench 14-17
2 PCS

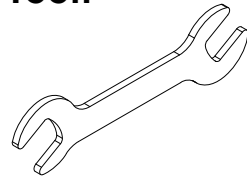
OVERVIEW DRAWING



ASSEMBLY INSTRUCTIONS



Tool:



2 Wrenches 14-17

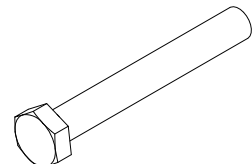
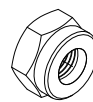
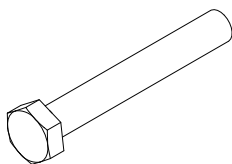
Step 1

Attach both Base Tubes (1) onto Connector Frames (2) with eight M10x70 Hex Bolts (7), eight M10 Nylon Lock Nuts (14), and sixteen Ø10 Washers (13). Tighten bolts and nuts with two Wrenches provided.

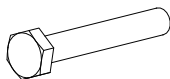
Attach four Barbell Frames (3) onto both Base Tubes (1) with eight M10x75 Hex Bolts (8), eight M10 Nylon Lock Nuts (14), and sixteen Ø10 Washers (13). Tighten bolts and nuts with two Wrenches provided.

Attach two Flat Plates (5) onto four Barbell Frames (3) with eight M6x40 Hex Bolts (11), eight M6 Nylon Lock Nuts (15), and sixteen Ø6 Washers (12). Tighten bolts and nuts with two Wrenches provided.

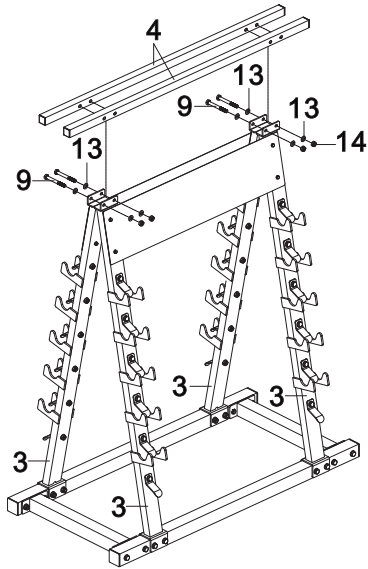
Hardware:



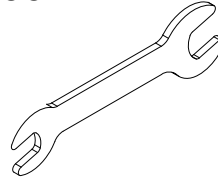
8 Hex Bolts (M10x70) 32 Washers (Ø10) 16 Nylon Lock Nuts (M10) 8 Hex Bolts (M10x75)



8 Hex Bolts (M6x40) 16 Washers (Ø6) 8 Nylon Lock Nuts (M6)



Tool:

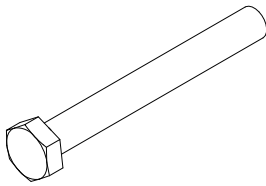


2 Wrenches 14-10

Step 2

Attach both Top Tubes (4) onto top ends of the Barbell Frames (3) with four M10x85 Hex Bolts (9), four M10 Nylon Lock Nuts (14), and eight Ø10 Washers (13). Tighten bolts and nuts with two Wrenches provided.

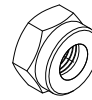
Hardware:



4 Hex Bolts (M10x85)



8 Washers (Ø10)



4 Nylon Lock Nuts (M10)